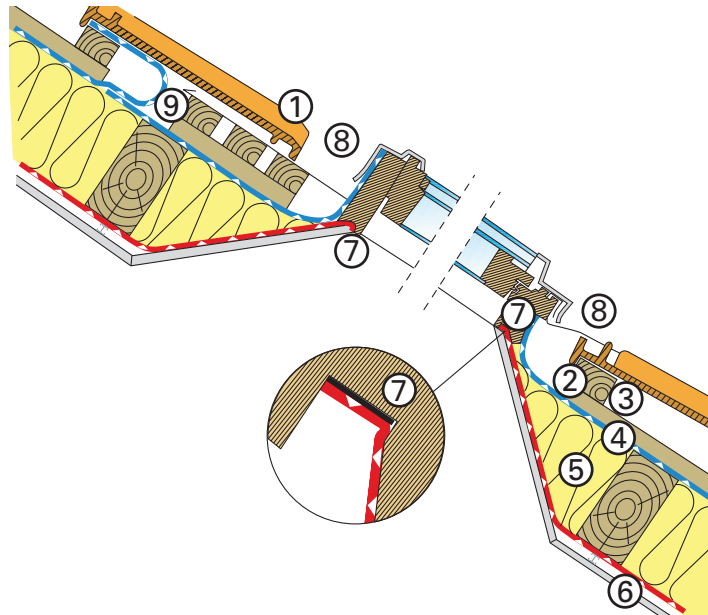
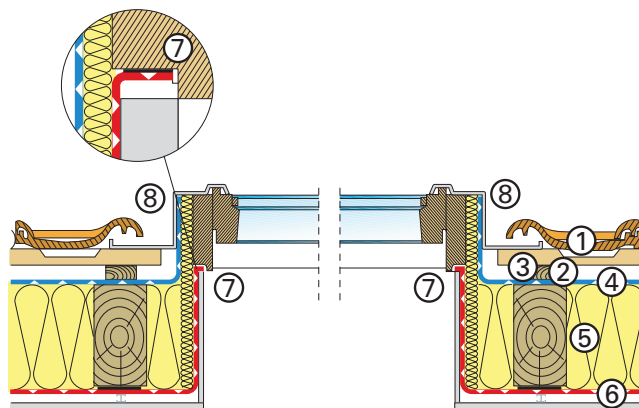


Aansluiting op dakvensters



- | | |
|---|---|
| 1 | Dakbedekking |
| 2 | Lat |
| 3 | Dwarslat |
| 4 | DuPont™ Tyvek® -onderdakscherm |
| 5 | Isolatie |
| 6 | Dampscherm DuPont™ AirGuard® Smart/ Sd5/ Sd23/ Reflective |
| 7 | DuPont™ Tyvek® Butyl of DuPont™ FlexWrap |
| 8 | Zinkwerk |
| 9 | Waterscherm |



- | | |
|---|---|
| 1 | Dakbedekking |
| 2 | Lat |
| 3 | Dwarslat |
| 4 | DuPont™ Tyvek® -onderdakscherm |
| 5 | Isolatie |
| 6 | Dampscherm DuPont™ AirGuard® Smart/ Sd5/ Sd23/ Reflective |
| 7 | DuPont™ Tyvek® Butyl of DuPont™ FlexWrap |
| 8 | Zinkwerk |